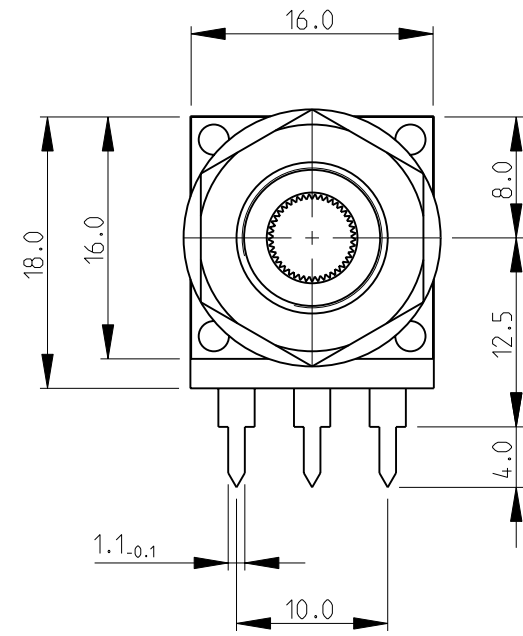
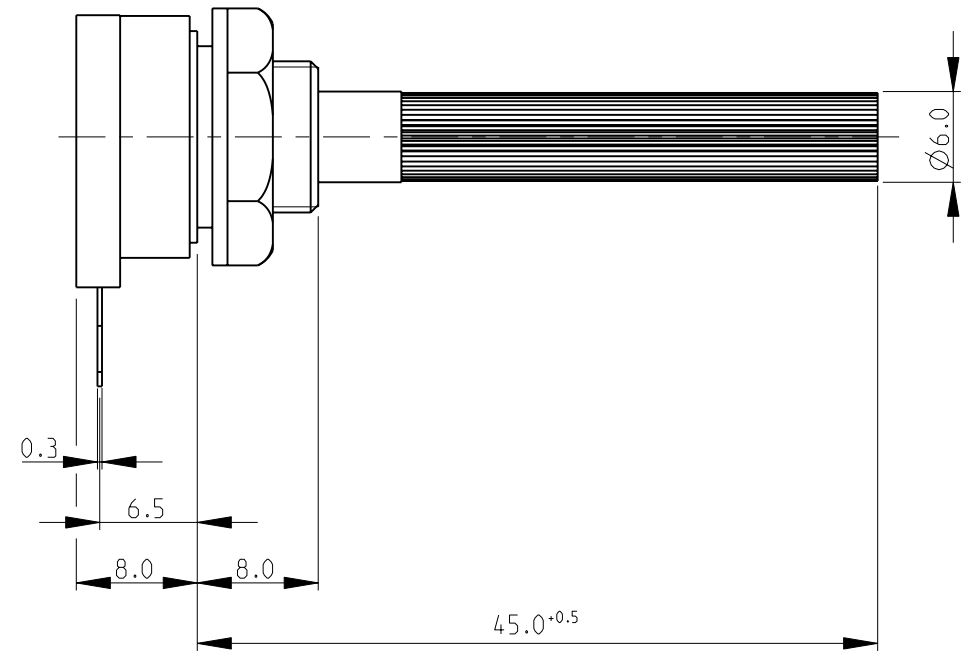


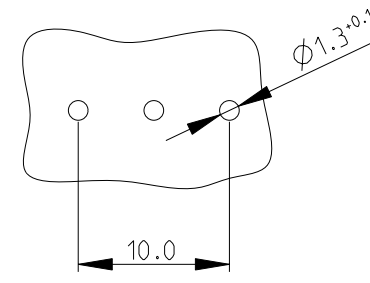
THIS DRAWING IS UNPUBLISHED. RELEASED FOR PUBLICATION 2008
 © COPYRIGHT 2008 BY - ALL RIGHTS RESERVED.

LOC		DIST		REVISIONS			
P	LTR	DESCRIPTION	DATE	DWN	APVD		
BA1		REVISED PER ECO-11-005150	28MAR2011	RK	HMR		

SERIES CP16SH10IP06*

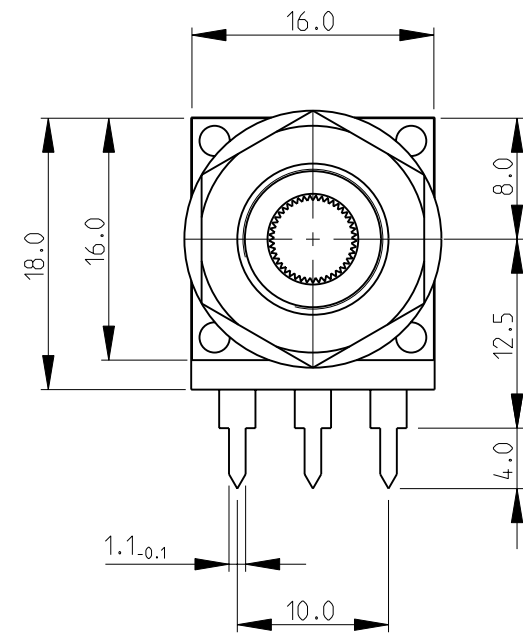
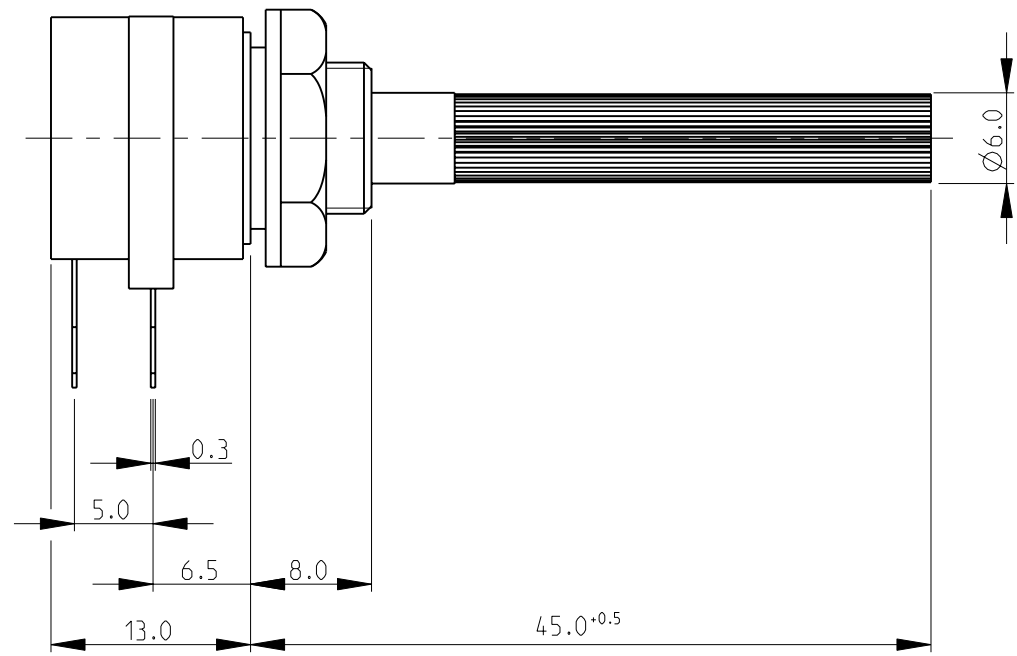


PCB LAYOUT PLAN

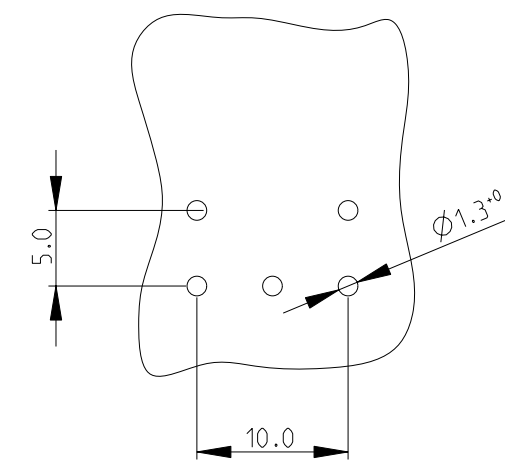


FOR FURTHER INFORMATION SEE DATA SHEET FOR SERIES CP16 - SPINDLE OPERATED POTENTIOMETERS

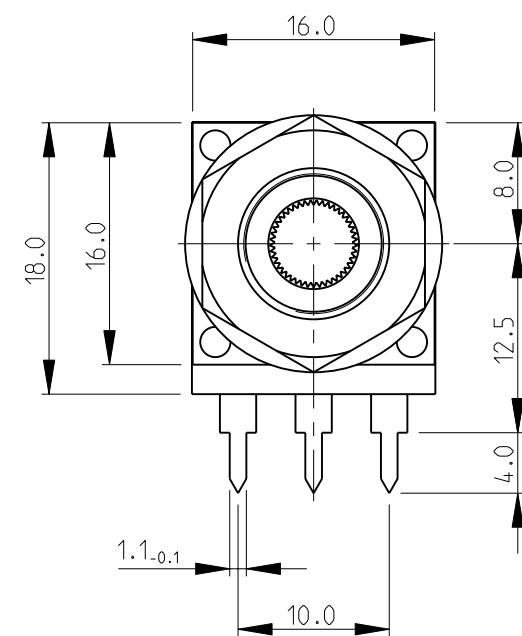
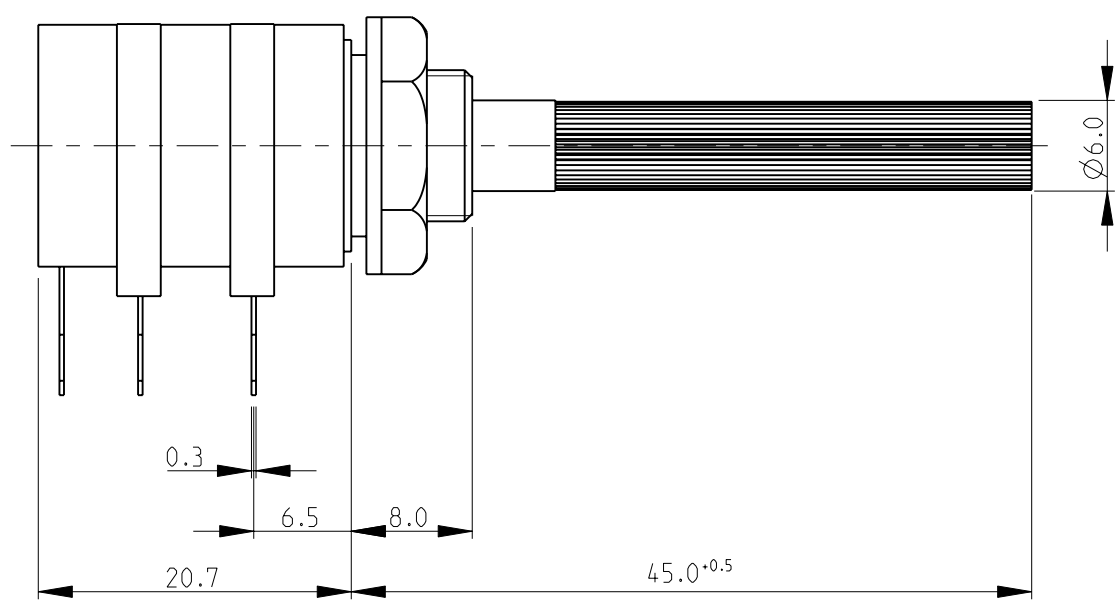
SERIES CP16SH10IP6*....I



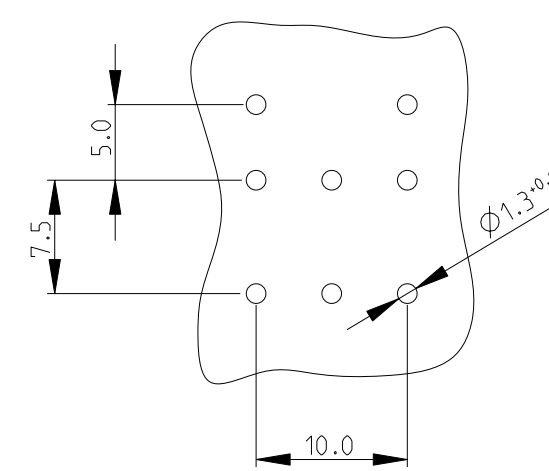
PCB LAYOUT PLAN



SERIES CP16DH10IP06*....I

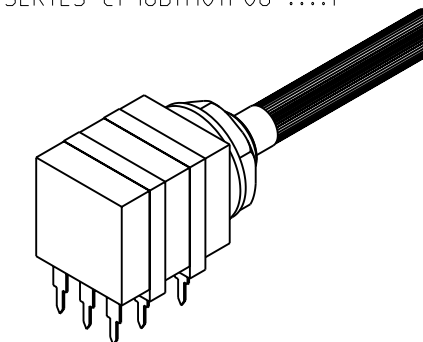


PCB LAYOUT PLAN



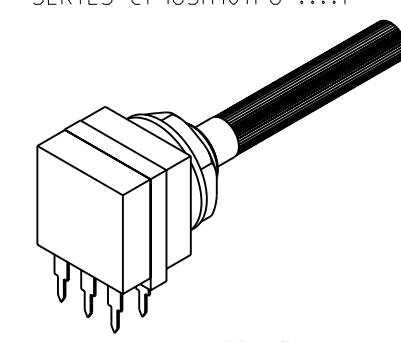
RoHS Compliant

SERIES CP16DH10IP06*....I



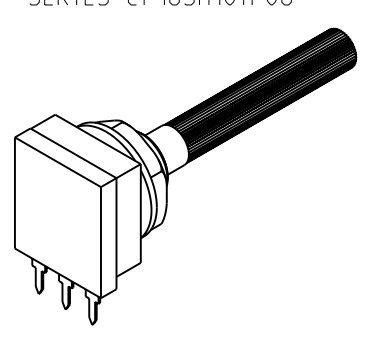
SCALE 1:1

SERIES CP16SH10IP6*....I



SCALE 1:1

SERIES CP16SH10IP06*



SCALE 1:1

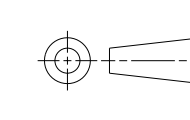
THIS DRAWING IS A CONTROLLED DOCUMENT.

DWN SUBHASH.M 02-DEC-08
 CHK PRAKASH.S 02-DEC-08
 APVD STEPHEN.P 02-DEC-08

DIMENSIONS:

TOLERANCES UNLESS OTHERWISE SPECIFIED:

mm



0 PLC	±0.2
1 PLC	±0.1
2 PLC	±0.1
3 PLC	±
4 PLC	±
ANGLES	±5°
FINISH	

MATERIAL

FINISH

PRODUCT SPEC

APPLICATION SPEC

WEIGHT

CUSTOMER DRAWING

NAME SPINDLE OPERATED POTENTIOMETER SERIES CP16

SIZE CAGE CODE DRAWING NO RESTRICTED TO

A2 00779 C=1676003

SCALE 2:1 SHEET 1 OF 1 REV BA1